

Portable power station

User Manual

SHX600 Series

深圳市杰力斯科技有限公司

总部地址：深圳市宝安区沙井运华时代1206

工厂地址：东莞市长安镇乌沙民一路12号

电话：+86-137 1409 6556 传真：0769-8271 0530

邮箱：victor.zhou@genixgreen.com

网址：www.genixgreen.com

www.szgenixgreen.com

Shenzhen GenixGreen Technology Co.,Ltd

Headquarter: Room 1206, Yunhua building, Shajing Town, Shenzhen

Factory: No12, Block,Minyi Road,Changan Town,Dongguan

Phone: +86-137 1409 6556 | 0769-8554 4410 Fax: 0769- 8271 0530

E-mail: victor.zhou@genixgreen.com

Website: www.genixgreen.com www.szgenixgreen.com



Catalogue

- I Product description**
- II Introduction to functions and instructions for use**
- III Electrical parameters**
- IV Stand-by time**
- V Packing list**
- VI Warranty Card**

VI Warranty Card

Warranty Card

Thank you very much for choosing the SHX600 series! Our company provides you

with a 12 month warranty period which begins on the date of purchase

Warranty: please present the warranty card and fill in the relevant information in detail when a warranty service is requested.

Warranty Coverage

1. The warranty provided covers any quality problem occurring in normal operation conditions.
2. The warranty provided not cover any damage or defects caused by owner's abuse, misuse or negligent acts.
3. The warranty provided not cover owner's modification or dismantling of the product.
4. The warranty will be void if the label of the product is removed or defaced.

For the products not covered by this warranty, our company provides maintenance service, but the maintenance cost incurred is charged to the customer.

Model Number		Serial Number	
Date Of Purchase		Date of Maintain	
Customer's Name		TEL	
Customer's Address			
Marketing Unit			
Description of the abnormal phenomena			

I Product description

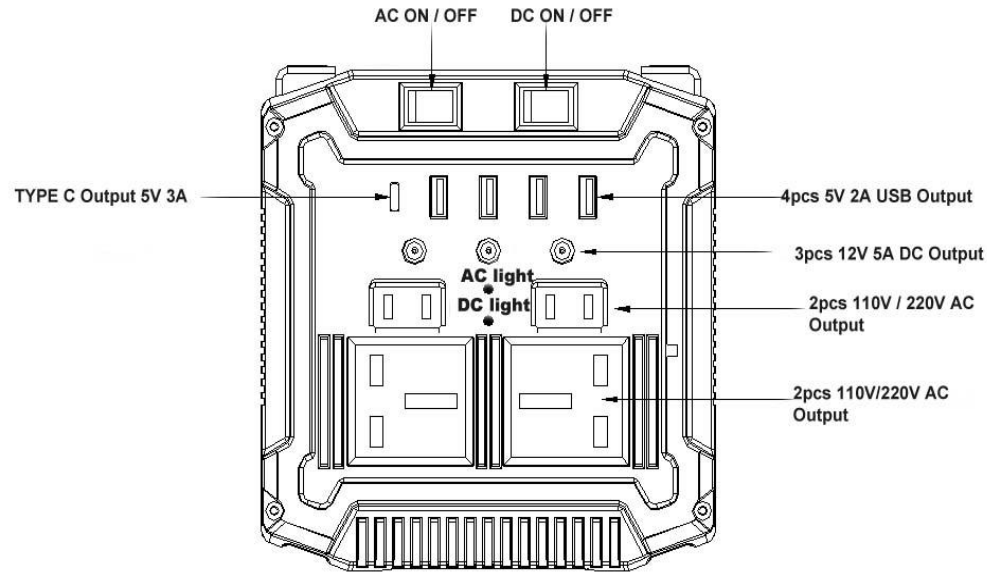
The new portable power station is made of aluminum alloy shell, light, portable, beautiful and easy to use. The core uses large capacity lithium battery, advanced manufacturing technology, strong output energy, provides AC output, DC output two different voltage mode output, To meet the needs of different electronic products. This product can be used not only as EPS power supply, but also as outdoor emergency power supply. To meet the majority of mobile electronics power demand.



This product has many lithium batteries built in, with a total capacity of 12V 400WH or 500Wh or 600wh to provide continuous power supply. After power failure, it can supply power for 3 -5 hours for ordinary office desktop computers without shutting down the computer. At the same time as indoor and outdoor standby emergency power supply, also have a wide range of applications. 110V-220V/12V/5V AC / DC output, suitable for a variety of different equipment, such as mobile phones, tablets, notebook computers, small printers, various lamps, small fish tank heater, photographic equipment, Electric balanced unicycle charging, medical equipment and so on. Abandon all kinds of shortcomings of traditional EPS power supply, greatly convenient Home travel, outdoor activities, camping, picnics, mountaineering and adventure and so on.

II Introduction to functions and instructions for use

Front panel description



When using the DC output function, please turn on the corresponding DC switch, the DC output indicator lights up, at this time can use DC 12V and 5V output. When not in use, turn off the switch so as not to cause power consumption.

V Packing list

Number	Name	Quantity
1	AC power cable	1
2	Manual	1

VI Precautions

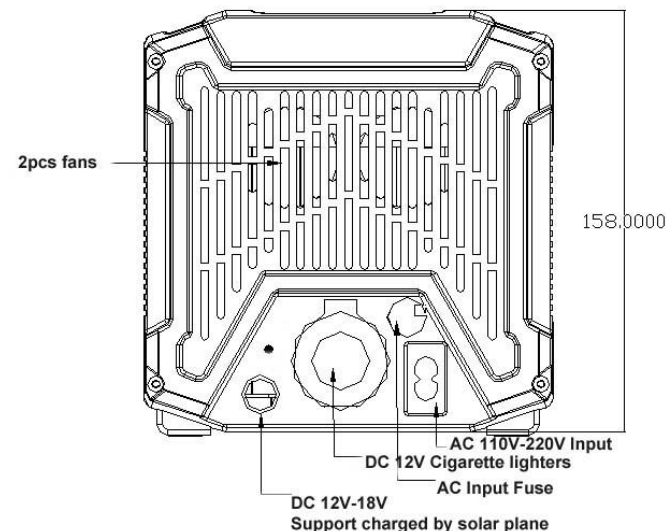
1. This product contains lithium battery, please stay away from the source of fire, if you do not use please do special treatment, do not arbitrarily discard.
2. Do not use this product in a humid environment or in water. Pay attention to moisture protection and use it in a ventilated and dry environment.
3. When using the product, please take it lightly, do not drop, beat or disassemble by force.
4. When abnormal phenomena such as smoke or fire are found in use, please stop using the machine immediately and take relevant fire extinguishing measures to avoid explosion.
5. When using this product, please turn it on first. Turn on the corresponding switch LED indicator light up, confirm the output, and then use.
6. When using this product for the first time, please recharge and use it after all the electricity is put out.
7. When this product is unused, please take it out every three months or so to ensure the battery life

IV Stand-by time

Use equipment	SHX600-300WH	SHX600-400WH
5V 3000mah mobile phone IPHONE XR	About 12 times or more	About 16 times or more
12V 3W LED light	About 90 hours	About 120 hours
300W Desktop computer	About 1 hours	About 1.2 hours
64W 13 inches laptop PC	About 4.5 hours	About 6 hours
50W fan	About 6 hours	About 8 hours
150W 32 inches LCD TV	About 2 hours	About 2.5 hours
20W energy saving lamp	About 15 hours	About 20 hours

Use equipment	SHX600-500WH	SHX600-600WH
5V 3000mah mobile phone IPHONE XR	About 20 times or more	About 24 times or more
12V 3W LED light	About 150 hours	About 180 hours
300W Desktop computer	About 1.5 hours	About 1.8 hours
64W 13 inches laptop PC	About 7.5 hours	About 9 hours
50W fan	About 10 hours	About 12 hours
150W 32 inches LCD TV	About 3 hours	About 3.5 hours
20W energy saving lamp	About 25 hours	About 30 hours

Back panel description



As shown in figure, when using, insert AC input power cable into AC socket and plug in AC input interface at the other end. Then the load power cord is connected to the Ac universal master of the product itself, turn on AC output switch and the product can be used normally. When there is no power outage, the AC power supplies the load. At the same time, the product is also charged. The charge indicator shows red and is full of green when the power is charged. It is automatically switched to the internal battery of the product to supply power for the load.

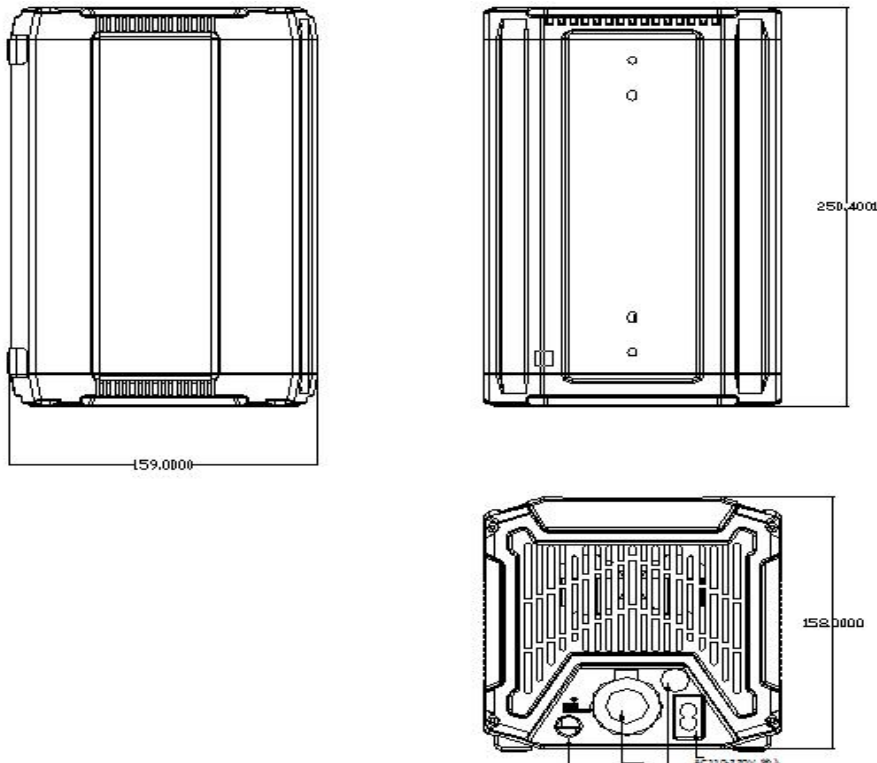
Please note: when accessing the load, the load operation power should not exceed the maximum output power of the machine itself. The maximum output power of the machine itself is 500W. If the load running power exceeds 500W, the power not be output in the protective state. Remove the excess loading, restart the power can be used normally. When the super power is used, it will cause the fuse of the machine to fuse and replace an 8A fuse for normal use.

Please turn off the switches when you take them out for outdoor use. Please turn them on when you need them. Otherwise, the battery will be consumed automatically.

Solar charging description: as shown in the solar interface, the solar panel specification is 18V. When connecting the solar panel, note that the positive and negative electrodes cannot be connected, and the positive and negative electrodes (left positive and right negative) should be corresponding to the interface, otherwise, they cannot be charged. When the solar panels charge normally, the charge indicator shows red and green when full.

Car charging description: Vehicle cigarette lighter output voltage should be 12V, do not use 24V to charge the power supply.

Product size



III Electrical parameters

Product model	SHX600
Energy Battery	400wh LFP
Output power	Rated 500W
Input voltage	AC: AC 220V / 110V 50HZ/60HZ, DC 18-36V input for solar.
Output voltage	220V 50Hz / 110V 60Hz *4PCS
DC output	12V/5A*3PCS, USB5V/2.1A*4PCS, Type-C5V/3A*1PC
Solar charging	18V
Car charging	12V output, do not use 24V
Output waveform	Pure Sine Wave, rated power 500w, max power 1000w.
Blackout reaction time	≤5ms
Overload	Ac output disconnected after overload, indicator light bright red, disconnect load, restart recovery
Short circuit	Ac output disconnected after short circuit, disconnect load, restart recovery
Lithium cell	Cycle life more than 1000 times
Weight	N.W: 5.5kg ± 0.2KG
Size	25*16*16cm
Color	Silver, Black